

# XL8003 DEMO Board manual

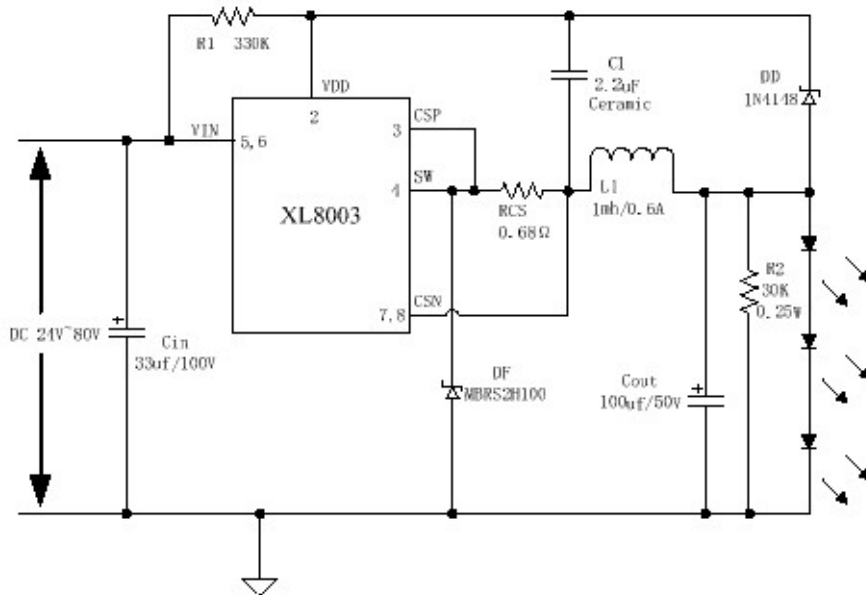
## Introduction

The document describes a high efficiency LED driver designed to drive an LED driver at a current of 300 mA from an input voltage range of 24 VDC to 80 VDC, output support 3~8 series 1W LED.

The XL8003 also provides a sophisticated range of protection features including auto-restart for control loop open/short faults and output short-circuit conditions. Accurate hysteretic thermal shutdown ensures safe average PCB temperatures under all conditions. Design with very low parts count.

This document contains the converter specification, schematic, PCB diagram, bill of materials.

## Schematic



XL8003 Typical Application Circuit (3W~8W LED lamp)

## Pin Description

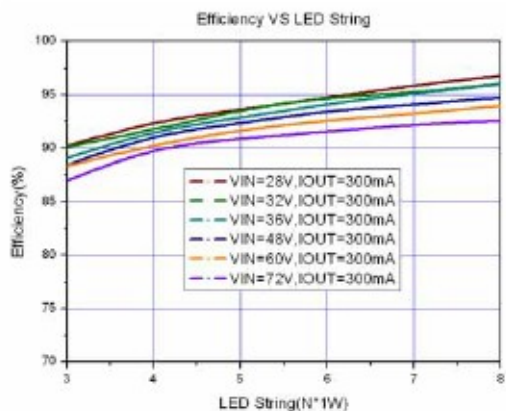
Pin Number	Pin Name	Description
1	NC	No Connected.
2	VDD	The chip supply voltage.
3	CSP	Current Sense Positive Terminal.
4	SW	Output Switching Pin.
5,6	VIN	Input high voltage Pin. (Operation voltage 24V~ 80V).
7,8	CSN	Current Sense Negative Terminal.

## Bill of Materials

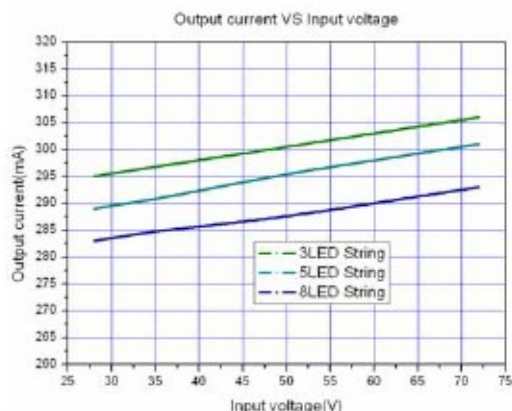
Item	Qty	Ref Des	Description	Mfg Part Number	Mfg
1	1	C1	2.2uF,50V,Ceramic,X7R,0805	C2012X7R1H225K	TDK
2	1	Cin	33uF,100V,Electrolytic,(8x11.5)	YXA-100V-33uF	Rubycon
3	1	Cout	100uF,50V,Electrolytic,(8x11.5)	YXA-50V-100uF	Rubycon
4	1	D1	100V,2A,Schottky Rectifier,SMB	MBRS2H100T3G	Onsemi
5	1	DD	100V,Switching diode,MINI MELF	LL4148	东森微
6	1	L1	1mH,0.6A	C12-K7.5L GE-102	Mitsumi
7	1	R1	330KΩ,1%,1/4 W,Thick Film,1206	RC1206xR-073303L	Yageo
8	1	R2	30KΩ,1%,1/4 W,Thick Film,1206	RC1206xR-073002L	Yageo
9	1	RCS	0.68Ω,1%,1/4 W,Thick Film,1206	RL1206xR-07R680L	Yageo
10	1	U1	XL8003,SOP8	XL8003	东森微

## Performance Data

Efficiency VS LED String



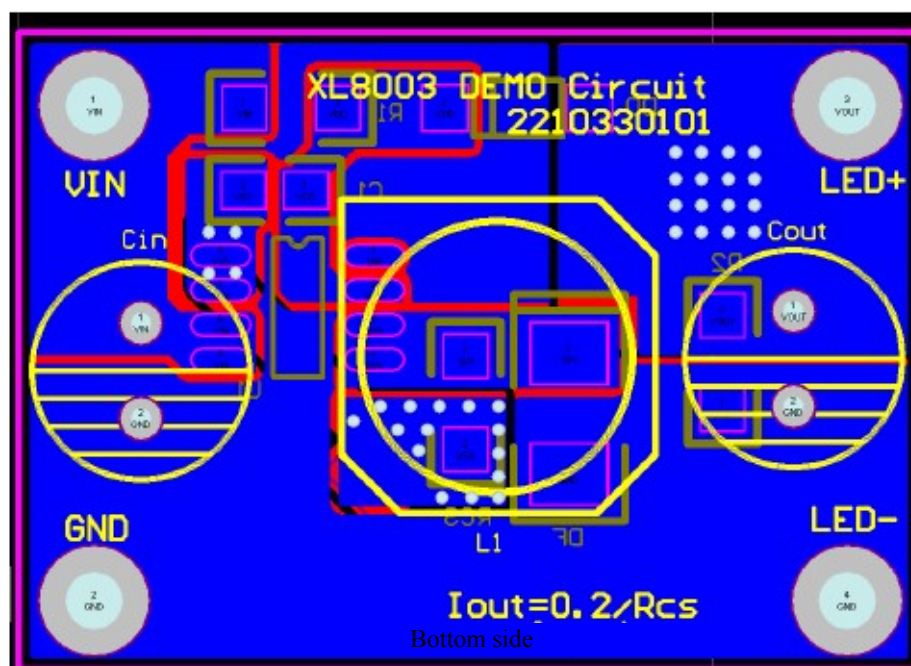
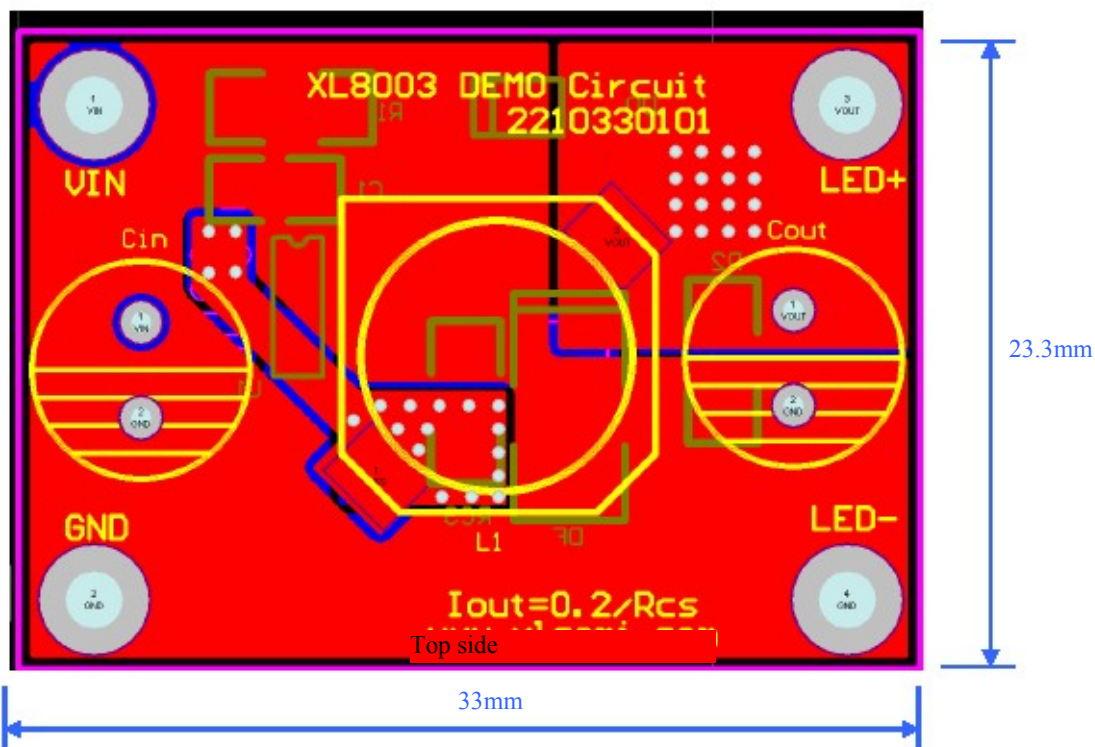
Line and Load Regulation



## Populated Circuit Board Photograph



### PCBLayout



昆山东森微电子有限公司

手机: 15950933050

电话: 0512-50710709

传真: 0512-50111209

MSN: wei\_126@hotmail.com

QQ: 41086900

网站: <http://www.ksmcu.com>

代理: 集成电路、光耦、MOS管、可控硅、各类二三极管、桥堆